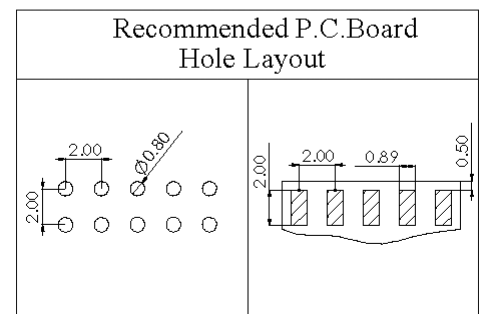
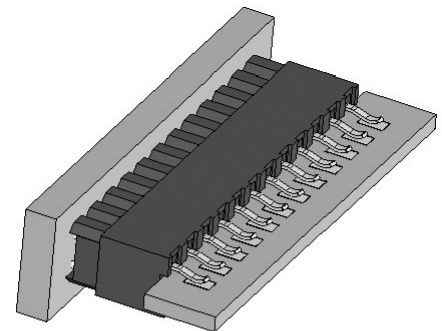
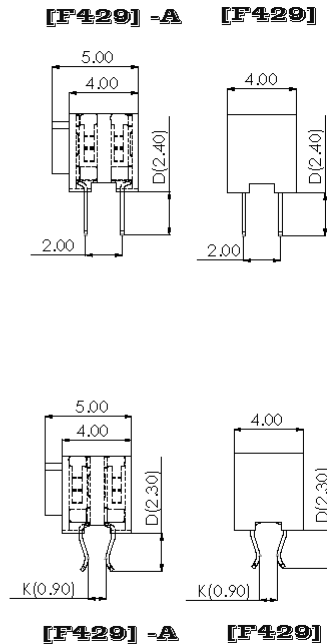
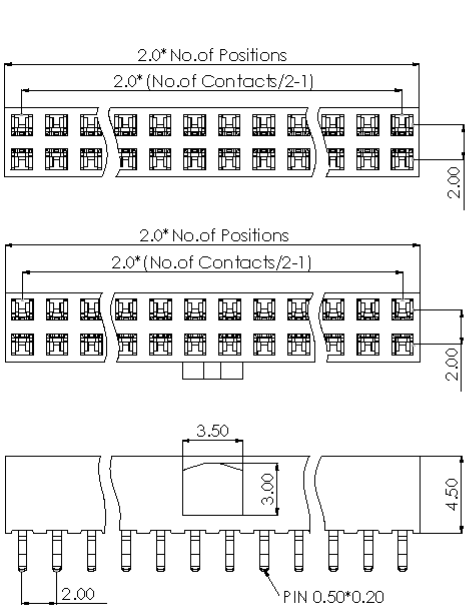
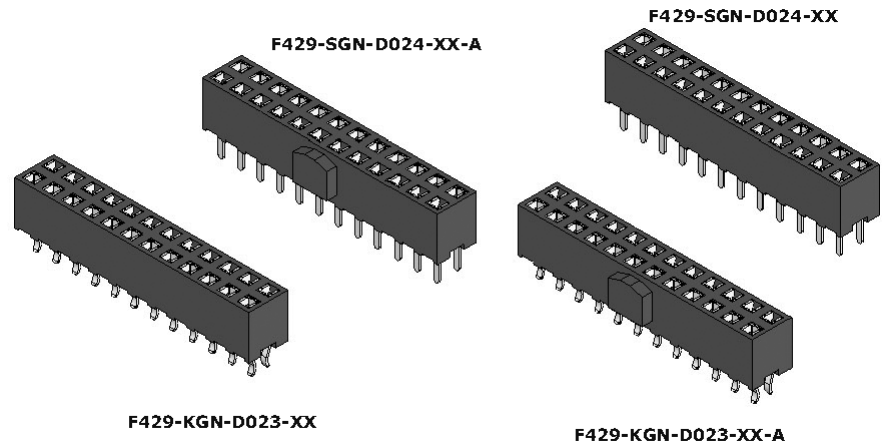


Female Header 2.0 mm

180° Series

SPECIFICATIONS

- Current Rating: 2 A
- Insulator Resistance: 3000 MOhm min.
- Contact Resistance: 20 mOhm max.
- Dielectric Withstanding: AC 500 V
- Operating Temperature: -40°C ~ +105°C
- Soldering Temperature: 260°C for 3~5sec. max
- Contact Material: Phosphor Bronze
- Insulator Material: Polyester, UL 94V-0
- Standard: Nylon-6T
- Finish: Tin, Gold or Duplex Plated
- Standard: Gold Flash all over
- Note: Duplex Plating: Gold Plated on contact area, Tin on solder area



How to order

Unit: mm

Series	Connector Type	Contact Plating	Material	Pin Length mm	Number of Contacts	Other
FXXX	X	X	X	DXXX	XX	A
F429:F/H 2.00 H:4.50 Dual Row	S: Straight Type K: "K" Type K: 0.90 ...	G: Gold Flash T: Tin Plated A: 10U" Gold B: 15U" Gold C: 20U" Gold ⊙ Duplex Plating D: Gold Flash/Tin (Standard: G)	N: Nylon-6T (Standard: N)	S-D D024 K-D D023	(04 TO 80 Contacts)	A: With cutting polarization key